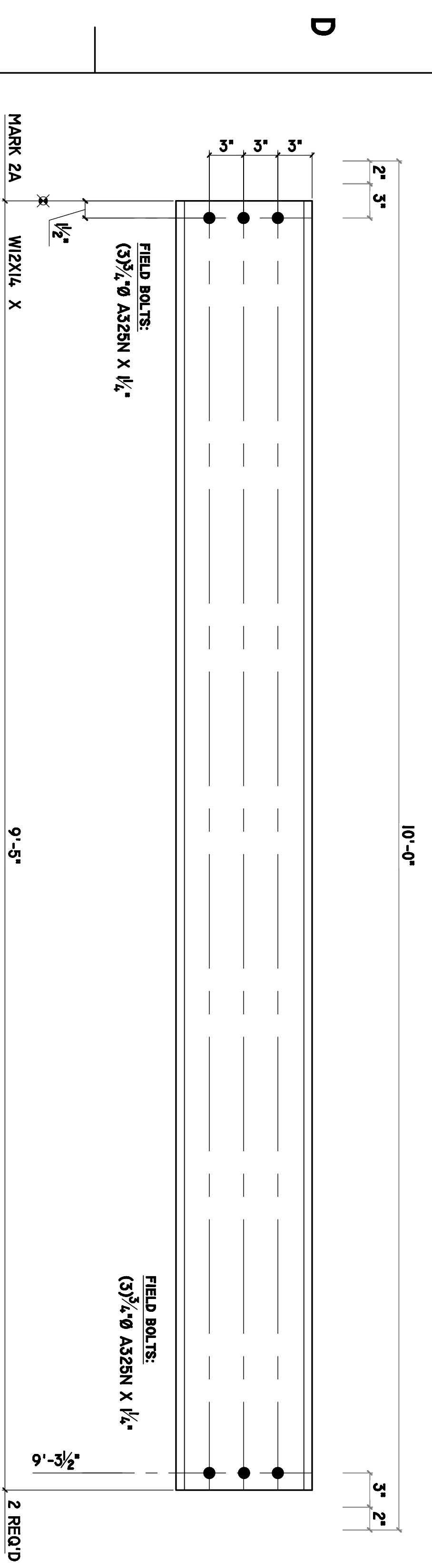


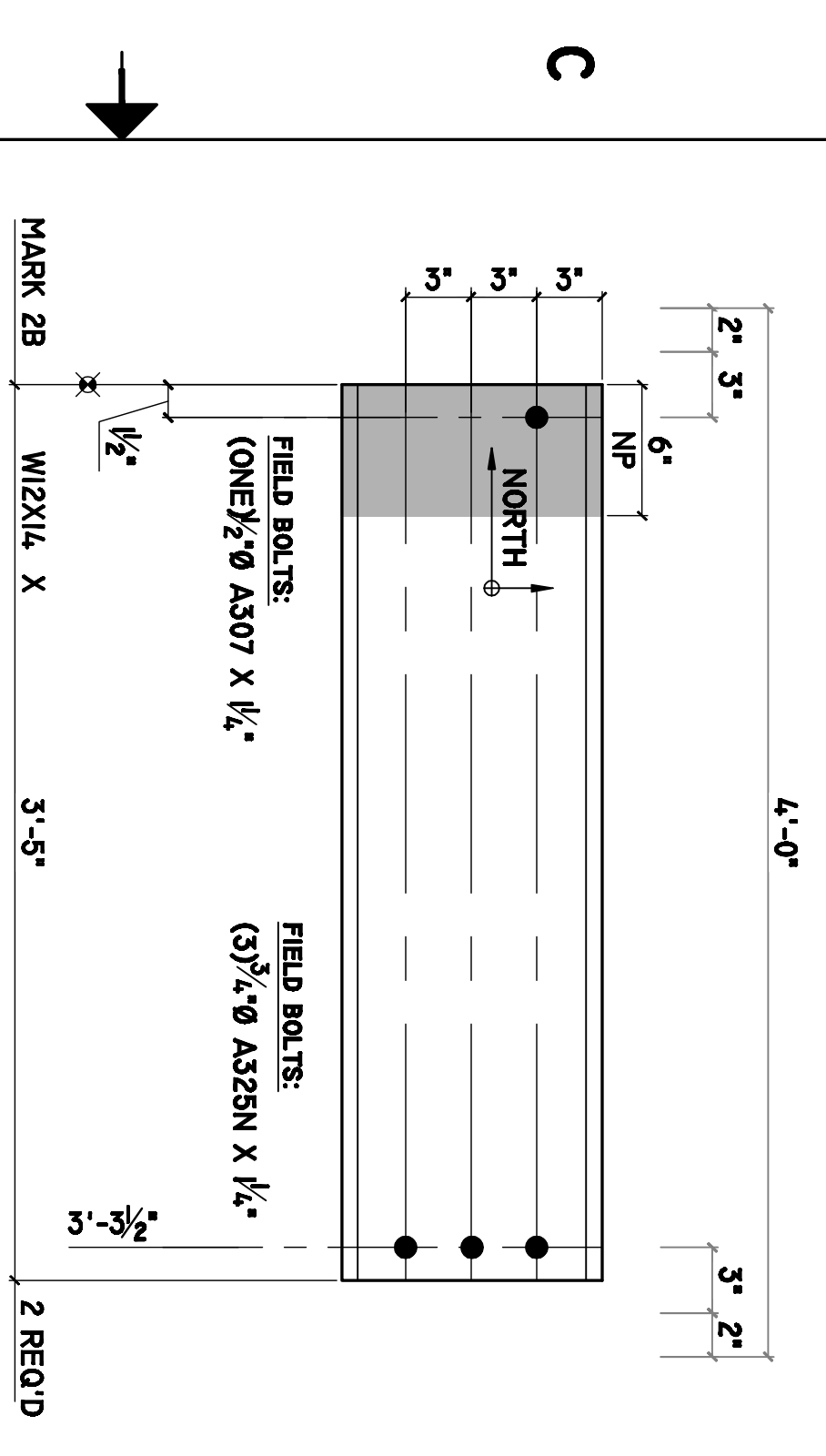
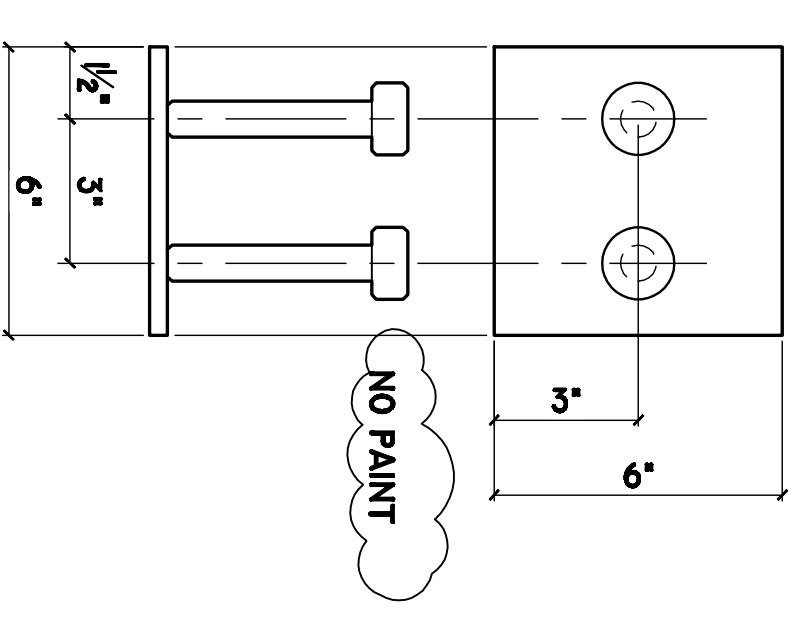
8 7 6 5 4 3 2 1

SHIP MK	PC MK	QTY	DESCRIPTION	LENGTH	REMARKS
ZA	2	W12X14		9'-5"	
ZB	4	W12X14		3'-5"	
ZC	132	FBS/8X6		0'-6"	
	264	HEADED WELD STUDS 3/4"Ø		0'-5"	
ZD	4	L3X4X1/4		0'-8"	
ZE	36	FBS/8X6		1'-4"	
	72	HEADED WELD STUDS 3/4"Ø		0'-5"	
ZF	16	L3X3X1/4		20'-0 3/4"	
ZG	2	L3X3X1/4		8'-7"	
ZH	2	L3X3X1/4		6'-2"	

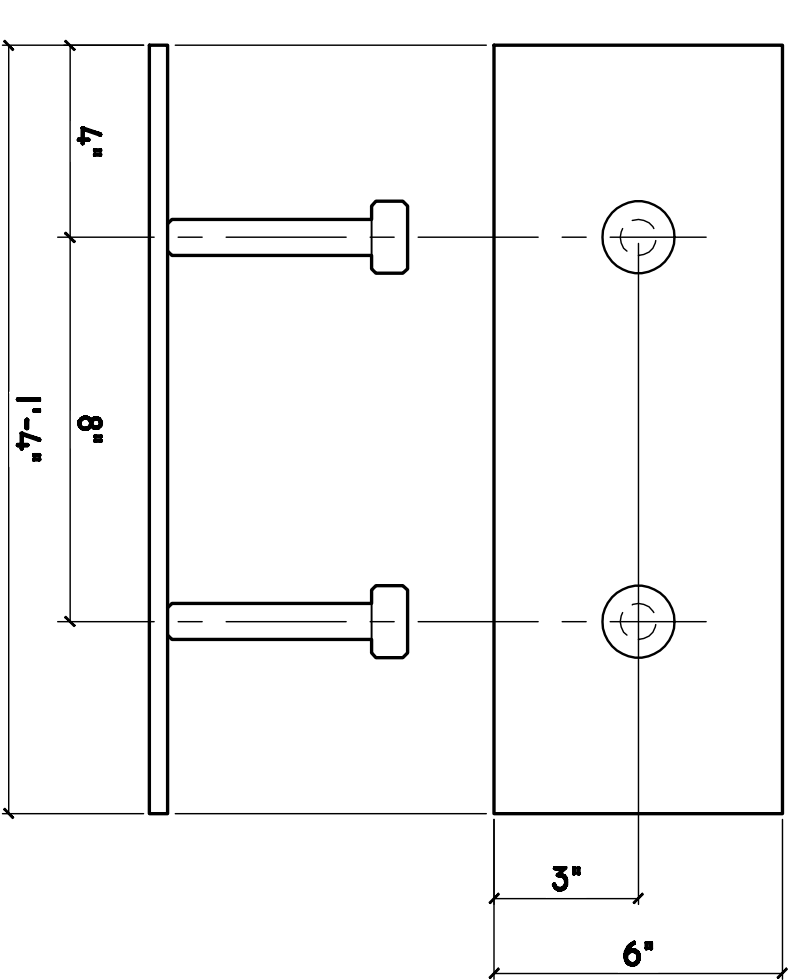
**BILL OF MATERIALS**



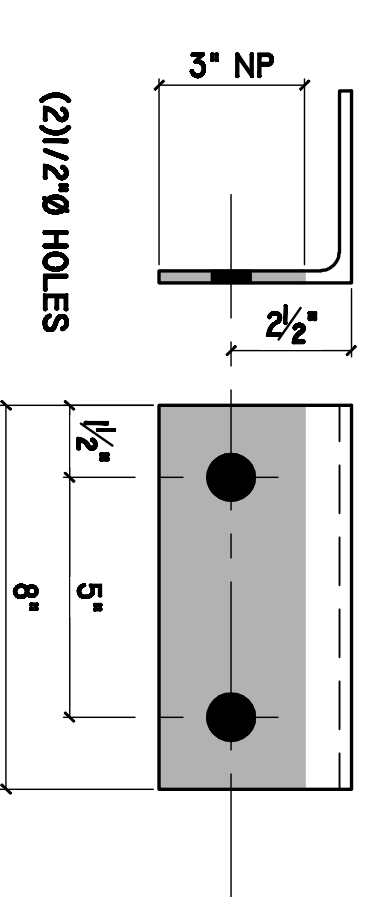
**(132) SIDEWALL EMBEDS**  
**MARK - 2C**  
 REFERENCE: 2/SA.1



**(36) JOIST SEAT EMBEDS**  
**MARK - 2E**  
 REFERENCE: 1/SA.1



**(4) CANOPY BEAM CLIP**  
**MARK - 2D**  
 REFERENCE: 9/SA.1



MARK 2F	20'-0 3/4"	16 REQ'D
MARK 2G	8'-7"	(2) REQ'D
MARK 2H	6'-2"	(2) REQ'D

DECK PERIMETER ANGLE,  
 REFERENCE: 1/SA.1 AND 2/SA.1

NO PAINT

- INDICATES NO PAINT AREAS.
- INDICATES BEGINNING POINT FOR TAIL DIMENSIONS.
- HOLES NOT NOTED OTHERWISE SHALL BE 1/2"Ø
- ALL FIELD BOLTS SUPPLIED W/WUTS.

PLEASE VERIFY ALL ITEMS IN CLOUDS THOSE CLOUDED ITEMS NOT MARKED OTHERWISE WILL BE ASSUMED ACCEPTABLE.

REV	DATE	DESCRIPTION	REVISION LOG
A	12/15/06	FOR APPROVAL	

**JD SALES**

LONESTAR OFFICE / WAREHOUSE

TITLE	DATE	BY	CHK
CANOPY ROOF BEAMS, DECK PERIMETER ANGLE, EMBEDS	18-Apr-06	DAVID BR. HWEAVER	AS2
Drawn By: HWEAVER			A