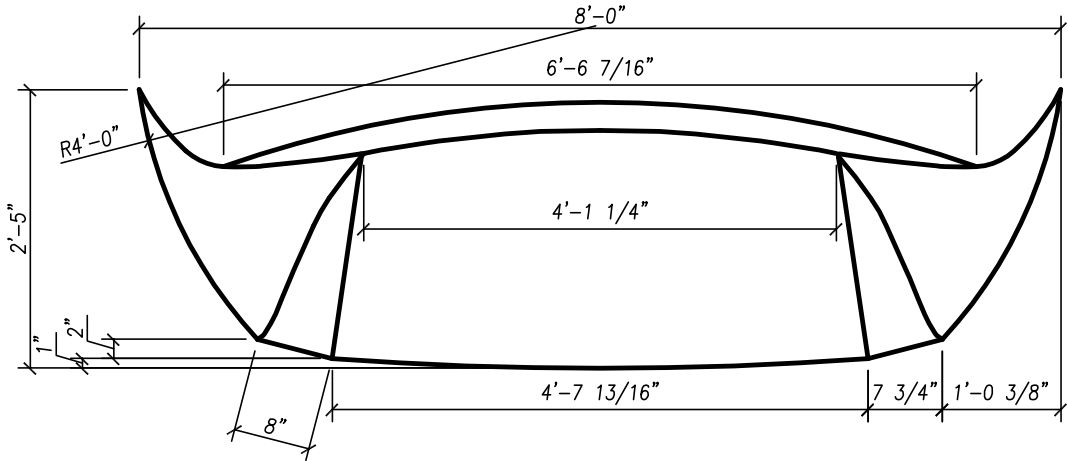


# Northern Airdrive & Marine Airboat Hull Model 1794

## BASIC HULL DIMENSIONS

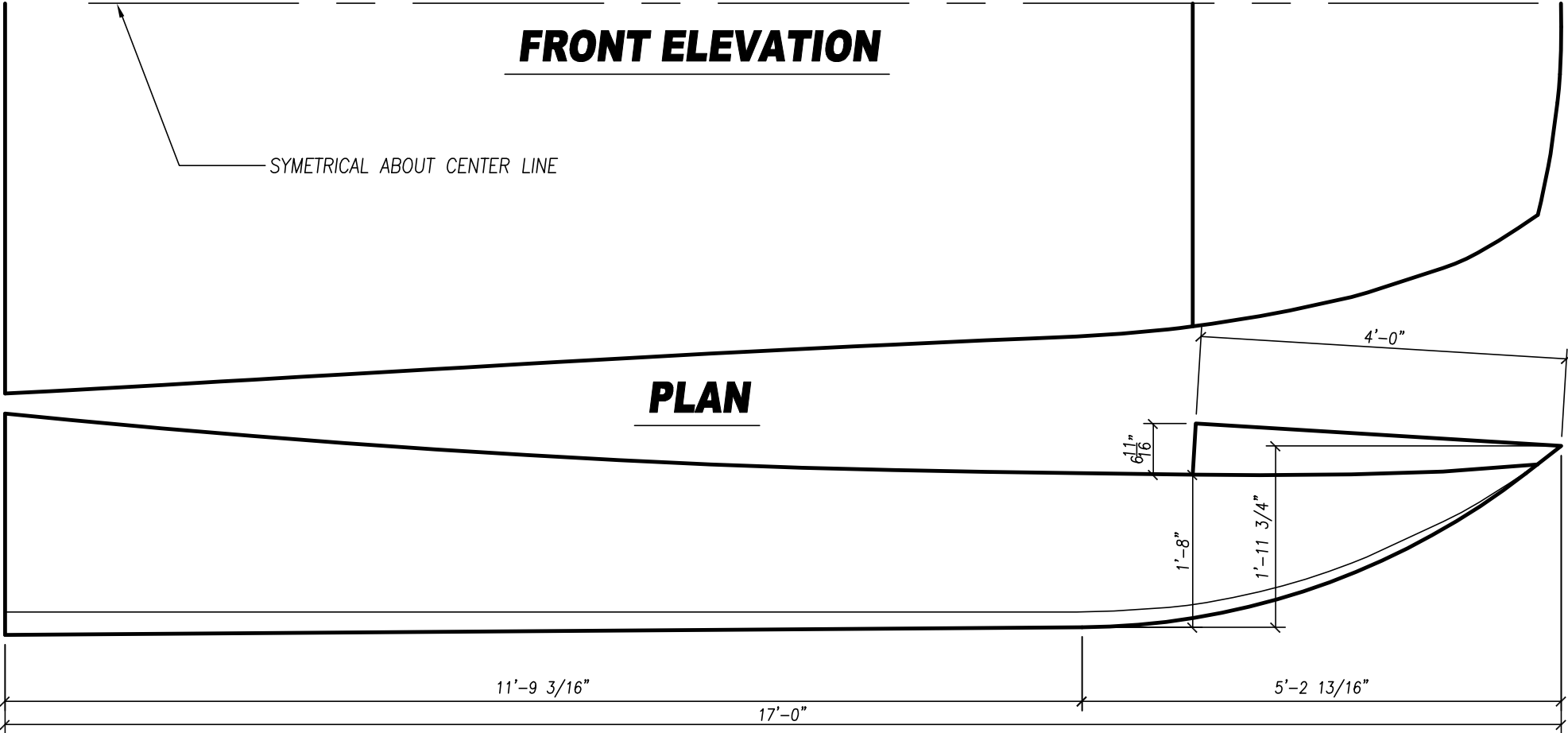
(c) 1994, 2003 Michael Weaver  
 mweaver\_ak@hotmail.com  
 1073 Badger Road, North Pole, AK 99705



### FRONT ELEVATION

SYMETRICAL ABOUT CENTER LINE

### PLAN



### SIDE ELEVATION